

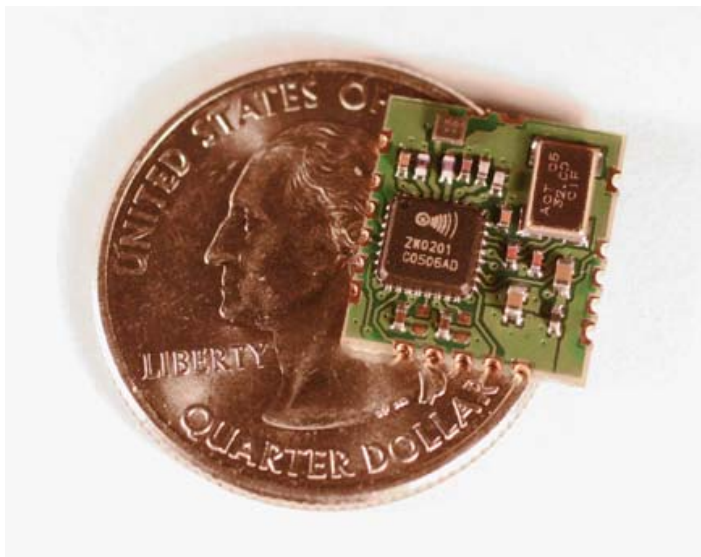


ZM2102 Datasheet

Integrated Z-Wave RF Module

The ZM2102 Z-Wave Module is a fully integrated RF communication module that uses the unlicensed Short-Range-Device (SRD) frequency band of 868.42MHz in Europe and 908.42MHz in US. The ZM2102 is dedicated for wireless control and monitoring of residential products like lighting and appliance control, energy management, access control, security and building automation.

Together with the patented Z-Wave Protocol the ZM2102 Z-Wave Module delivers a complete highly reliable RF communication solution. The Z-Wave Protocol uses Frame Acknowledgement, Retransmission, Collision Avoidance, Frame Checksum Check and sophisticated Routing to assure reliable full home coverage.



The ZM2102 Z-Wave Module contains the integrated ZW0201 Z-Wave Single Chip, system crystal and RF front-end circuitry. The ZW0201 Single Chip is an integrated chip containing RF Transceiver, 8051 MCU core, SRAM, Flash Memory for Z-Wave Protocol and OEM Application software storage, Triac Controller and a wide range of HW interfaces.

This complete RF solution makes it very easy for OEM customers to RF enable their products without having to do the time consuming work of designing, verifying and optimizing the RF design and thereby enables faster time to market.

Features

Interfaces

- 10 General Purpose I/O's
- Two Interrupt Inputs
- Serial UART
- SPI Interface
- Triac Control Interface
- PWM Output
- Four multiplexed 12/8 bit ADC inputs

ZW0201 Single Chip

- Optimized 8051 CPU Core
- 32kbyte Flash
- 2kbyte SRAM
- Power-On-Reset / Brown-Out Detection
- Supply Voltage: 2.1V-3.6V
- Power Consumption
 - TX@-5dBm = 24mA
 - TX@0dBm = 36mA
 - RX = 23mA
 - Power down/sleep mode = 2.5 μ A

RF

- Freq: 908.42MHz (US) / 868.42MHz (EU)
- High Sensitivity (-102/-98dBm)
- FSK Modulation
- 9.6kbps/40kbps Data Rate
- -20dBm to 0dBm Output power (ZW0201)
- Complies with EN 300 220 and FCC CFR47 part 15

Applications

- Home Automation
 - Lighting/Drape Control
 - Automated Meter Reading
 - Access Control
 - Universal Remote Controls

Table of Contents

1	PRODUCT DESCRIPTION	3
1.1	Overview	3
1.2	Signal Description	4
1.3	RF Front-End	5
1.3.1	RF input/output	5
1.3.2	Antenna Matching	5
1.4	Z-Wave Module Programming	6
2	SPECIFICATIONS	7
2.1	ZW0201 Specification	7
2.2	ZW0201 Single Chip Peripherals	7
2.3	RF Specification	7
2.4	Electrical Specification	8
2.4.1	Absolute Maximum Ratings	8
2.4.2	DC Characteristics	8
2.5	Physical Specification	9
2.6	Process Specification	9
2.7	Recommended PCB Footprint Outline	10
2.8	Recommended Reflow Profile	11
2.9	Application PCB Layout Recommendation	11
2.9.1	Supply Voltage	11
2.9.2	Ground Plane	12
2.9.3	Antenna Interconnection	12
3	SOFTWARE	13
3.1	SPI Interface	13
3.2	EEPROM	13
4	REFERENCES	14

1 PRODUCT DESCRIPTION

1.1 Overview

The ZM2102 Z-Wave Module is a fully integrated module containing all the HW and SW required to Z-Wave enable OEM products. The ZM2102 Z-Wave Module contains the Z-Wave ZW0201 Single Chip, System Crystal, RF Front-end and RF Supply Voltage Filtering. Only the antenna needs to be implemented by the developer designing the Z-Wave enabled product.

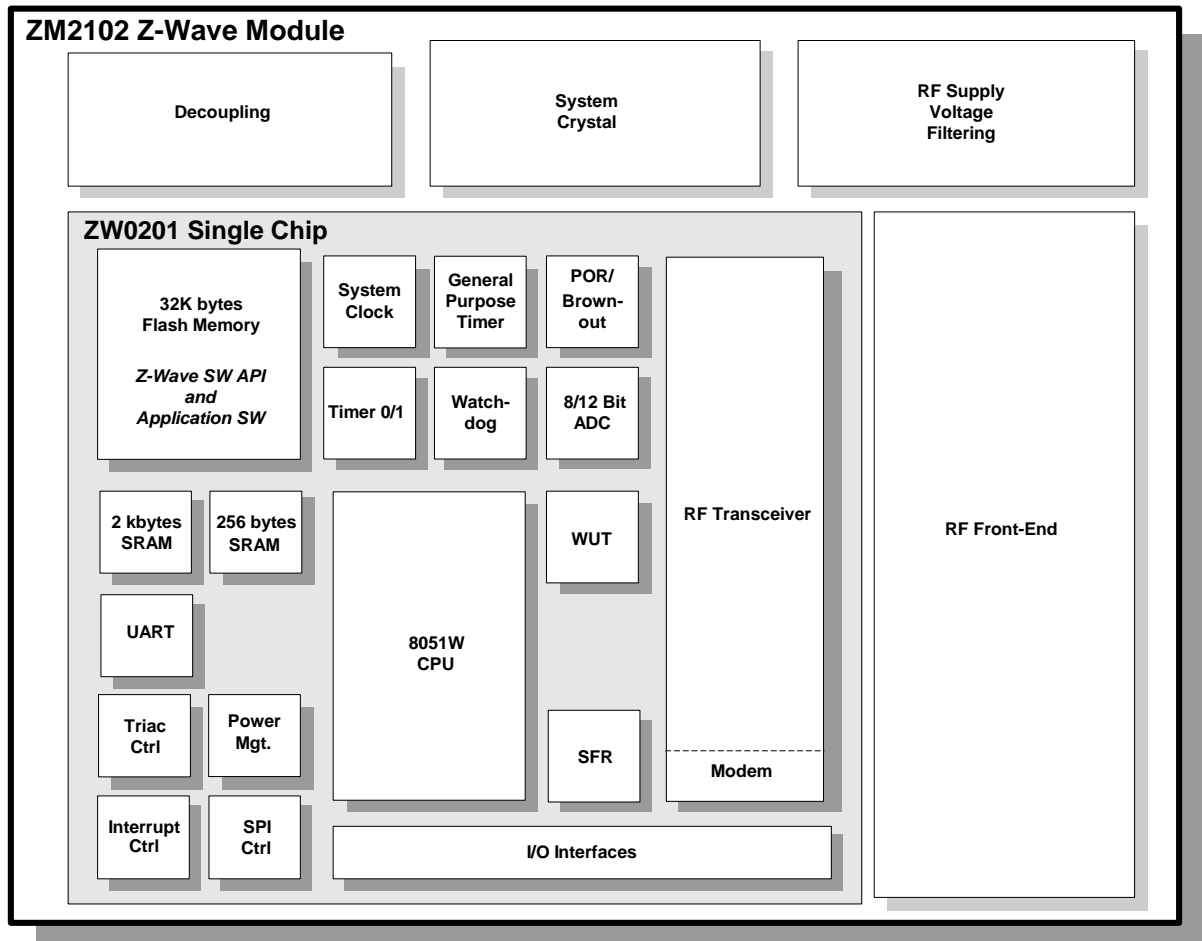


Figure 1 ZM2102 Z-Wave Module Block Diagram

The ZM2102 Z-Wave Module contains a system crystal, why no external crystal is needed. In order to get a high reliable and high performance RF communication, the RF Front-end has an optimized and throughout tested matching circuitry, a narrow band SAW filter dedicated for Z-Wave communication and there are filtering of the RF circuitry supply voltage.

The ZM2102 Z-Wave Module is connector-less using Castellation Notches for easy mounting of the module to an OEM Application PCB. The ZM2102 Z-Wave Module has a top shield that improves noise immunity of the module and enables the module to be mounted by a standard pick-and-place machine on the production line.

The Z-Wave Protocol is designed to enable automatic network address assignment at installation, and simple inclusion/exclusion of nodes. These protocol-handling techniques ensure easy installation, expansion, and management of the Z-Wave control network. Furthermore each Z-Wave network has its own unique Network Identifier preventing control problems or interference from neighboring networks.

The Z-Wave Protocol has a well-defined Application-Programming-Interface (API) enabling easy and fast Application SW development.

1.2 Signal Description

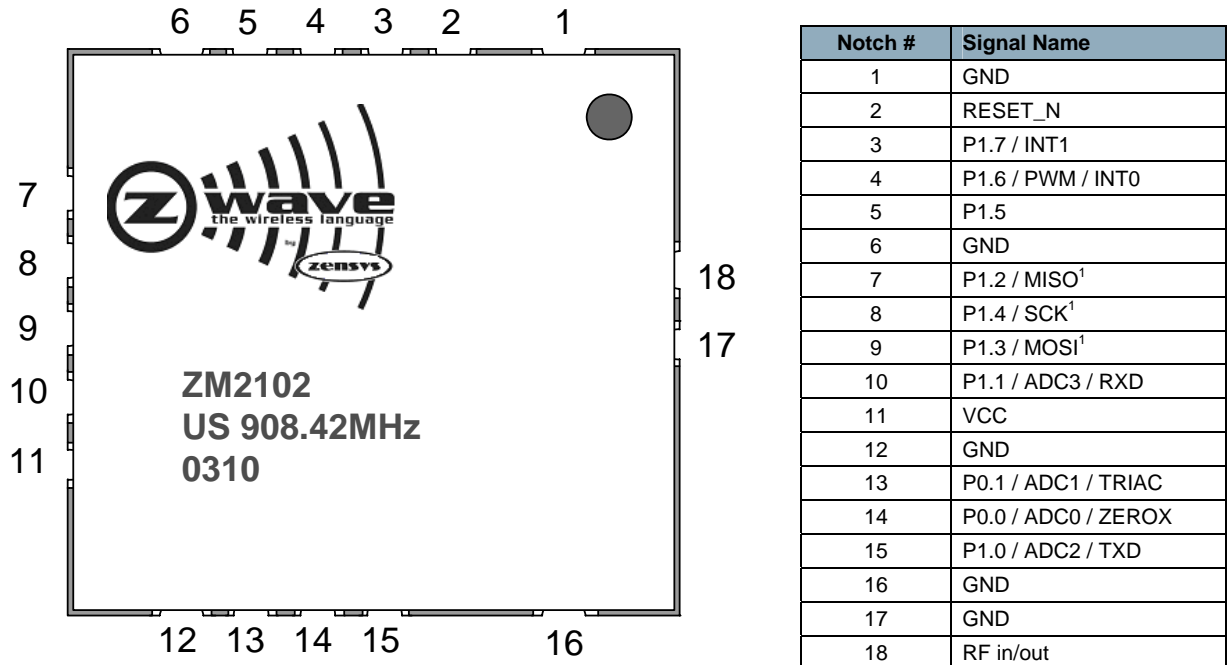


Figure 2 ZM2102 Outline and Signals

Name	Notch #	I/O	Description
ADC[3:0]	10, 13, 14, 15	I	Analog-to-Digital Converter input. The ADC is 12/8 bit and can use either VCC or an internal/external voltage as reference. ADC3: input ADC2: input ADC1: input / lower reference ADC0: input / higher reference
GND	1, 6, 12, 16, 17	Power	Ground signal
INT[1:0]	3, 4	I/O	Interrupt: The signal can be either level or edge triggered. When in power down mode, the ZM2102 Z-Wave Module's MCU can be woken up by asserting the interrupt signal.
P[0.1-0.0], P[1.7-1.0]	3, 4, 5, 7, 8, 9, 10, 13, 14, 15	I/O	In/Out: General purpose I/O signal.
MISO ¹	7	I/O	Master-In-Slave-Out SPI interface: output in slave mode operation and input in master mode operation.
MOSI ¹	9	I/O	Master Out Slave In SPI interface: input in slave mode operation and output in master mode operation.
PWM	4	I/O	Pulse Width Modulator Output: Used for frequency variation applications.

Name	Notch #	I/O	Description
RESET_N	2	I	Reset: Active low reset. The ZW0201 Single Chip has an integrated Power-On-Reset and Brown-out detection circuitry.
RF	18	I/O	RF Input/Output
RXD	10	I/O	UART Receive Data: Supports 9.6kbaud, 38.4kbaud, 115.2kbaud.
SCK ¹	8	I/O	SPI Clock: Can be used as either master SPI clock output or slave SPI clock input.
TRIAC	13	I/O	TRIAC Control: A triac controller is implemented in the ZW0201 Single Chip that can controls a triac on the Application Module like light dimmer modules etc.
TXD	15	I/O	UART Transmit Data: Supports 9.6kbaud, 38.4kbaud, 115.2kbaud.
VCC	11	Power	ZM2102 supply voltage.
ZEROX	14	I/O	Zero Cross Detection: Zero cross detection signal used on dimmer modules detecting 120/240V zero crossing.

1. Please note that the SPI interface (MISO, MOSI and SCK) is not available for the Application SW in some Z-Wave protocol API's, see [3]

Table 1 ZM2102 Signal Description

All signals in Table 1 except RF, VCC and GND are connected directly to the corresponding signals on the ZW0201 Z-Wave Single Chip on the ZM2102 Z-Wave Module. A detailed description of these signals is given in the ZW0201 Z-Wave Single Chip datasheet [1].

1.3 RF Front-End

1.3.1 RF input/output

The ZM2102 Z-Wave Module is equipped with a SAW filter that rejects the unwanted frequencies both in receive and transmit operations.

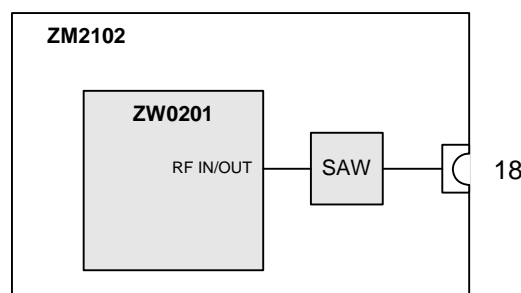


Figure 3 ZM2102 RF Front-end Circuitry

The RF input/output on the ZW0201 is a single ended input/output that is internally matched to 50 ohm.

1.3.2 Antenna Matching

The ZM2102 Z-Wave Module is using an antenna placed on the Application Module, the matching of the external antenna to 50 ohm (SAW filter impedance) must be made on the Application Module.

As the ZM2102 Z-Wave Module is integrated into various products, different types of antennas can be implemented to get the best RF performance, i.e. range and reliability. In [4], a good overview of the

different antennas is given as well as their pro's and con's. In the case the antenna is not 50ohm a matching network must be implemented between the ZM2102 Z-Wave Module and the antenna. The matching network can for example be a "pi" or a "T" structure as shown in Figure 4.

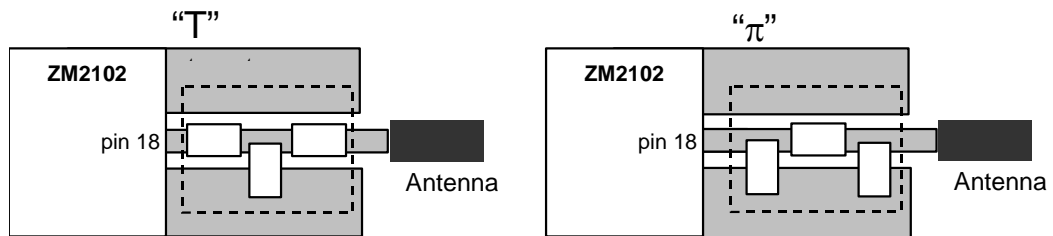


Figure 4 "π" and "T" structure for the antenna-matching network

1.4 Z-Wave Module Programming

The ZM2102 Z-Wave Module is programmed using the SPI interface and the RESET_N signal. For detailed programming instructions see [2] and recommended programming tool(s) see [3].

2 SPECIFICATIONS

2.1 ZW0201 Specification

MCU	Description
MCU Type	Optimized 8-bit 8051 MCU core.
MCU speed	16 MHz (integrated clock divider, external crystal frequency is 32MHz)
Flash	32kbyte. Programmed through the SPI interface.
SRAM	2kbyte
SRAM (CPU)	256byte
MCU Peripherals	12/8-bit ADC, UART, SPI, 2x16 bit timers one with PWM mode, Watch Dog Timer, Wake Up Timer, Power-on Reset/Brown-Out Detector.
Interrupt sources	Internal and external.

Table 2 MCU Specifications

2.2 ZW0201 Single Chip Peripherals

Peripherals	Description
Crystals	System Clock: 32MHz, $\pm 10\text{ppm}@25^\circ\text{C}$, $\pm 10\text{ppm}@-15^\circ\text{C}$ to $+85^\circ\text{C}$, 3ppm aging per 5 years. Alternative: 32MHz, $\pm 8\text{ppm}@25^\circ\text{C}$, $\pm 8\text{ppm}@-15^\circ\text{C}$ to $+85^\circ\text{C}$, 3ppm aging per year.
Optional Peripherals	EEPROM

Table 3 External Peripherals

2.3 RF Specification

RF	Description	
RF Data rate	9.6 kbps 40kbps	
RF frequency (center frequency)	US: 9.6kbps: 908.42 MHz, 40kbps: 908.40 MHz EU: 9.6kbps: 868.42 MHz, 40kbps: 868.40 MHz	
Modulation	Frequency Shift Keying (FSK)	
Frequency deviation	Center frequency $\pm 20\text{kHz}$	
Signal coding	9.6kbps: Manchester Encoded 40kbps: NRZ	
RF filter	SAW Filter US: Center frequency = 908MHz, BW = 20MHz EU: Center frequency = 868MHz, BW = 20MHz	
Typical RF receiver sensitivity	9.6kbps: -102dBm (including SAW filter) 40kbps: -98dBm (including SAW filter)	
ZW0201 RF Output Power (RF transceiver output)	-20dBm to 0dBm	Typical Saw filter insertion loss: 2.2dB
RF Input/Output Impedance	50ohm @ respective EU/US frequencies	
Range (typical)	Indoor >30 meters line of sight, in unobstructed environment. Outdoor > 60 meters line of sight	
RF regulatory	US: FCC Part 15 EU: R&TTE Directive 1999/5/EC, EN 300 220-3/2000	

Table 4 RF Specifications

2.4 Electrical Specification

The “Absolute Maximum Ratings” specifies the conditions in which the ZM2102 Z-Wave Module is guaranteed not to be damaged but correct operations are not guaranteed. Exceeding the “Absolute Maximum Ratings” may destroy the ZM2102 Z-Wave Module. See “DC Characteristics” for guaranteed operation limits.

2.4.1 Absolute Maximum Ratings

Electrical	Value
Operating Temperature	-15°C to +85°C
Storage Temperature	-40°C to +85°C
Voltage on input pins	-0.3V to VCC+0.3V
Minimum Operating Voltage (VCC)	-0.3V
Maximum Operating Voltage (VCC)	4V

Table 5 Absolute Maximum Ratings

2.4.2 DC Characteristics

The following DC characteristics are preliminary for the ZM2102 Z-Wave Module.

T_A = 25°C, VCC = 3.3V (unless otherwise noted)

Symbol	Parameter	Condition	Min	Typ	Max	Units
VCC	Digital Supply Voltage		2.1	3.3	3.6	V
RRST ¹	Reset Pull-up Resistor	Integrated in ZW0201	10			MΩ
I _C	Continuous Output Current	One GPIO	-20		20	mA
I _{CTOT}	Total continuous output source/sink current	All GPIO's	-100		100	mA
I _{CC}	Transmitting (16MHz system clock) ²	Pout = -5dBm (Setting: 1B) Pout = +0dBm (Setting: 2A)		24 36		mA
	Receiving (16MHz system clock) ³			23		mA
	Power Down ⁴			2.5		μA
T _{OP}	Operating Temperature		-10		85	°C
H _{OP}	Operating Relative Humidity		8		80	%

1. The integrated Reset pull up is not for external circuitry. An external pull up resistor should be implemented.
2. The transceiver is in transmit mode with the MCU running. The ADC is off. The crystal is 32MHz.
3. The transceiver is in receive mode with the MCU running. The ADC is off. The crystal is 32MHz.
4. The ADC, transceiver, MCU and flash are shut down. The chip can be woken by brownout, an external reset pulse, external interrupt (if enabled) or periodical wakeup by WUT (if enabled). POR cannot be disabled.

Table 6 DC Characteristics

2.5 Physical Specification

Physical Specification	Description
Size	12.5mm. x 13.6mm. x 2.4mm (0.492" x 0.535" x 0.094")
Weight	7g (with shield) 5g (without shield)
Castellation Notches	18

Table 7 Physical Specifications

2.6 Process Specification

Specification	Description
MSL-3	Moisture Level Verification tested according to JEDEC J-STD-020C
RoHS	Designed in compliance with The Restriction of Hazardous Substances Directive (RoHS)

Table 8 Process Specifications

2.7 Recommended PCB Footprint Outline

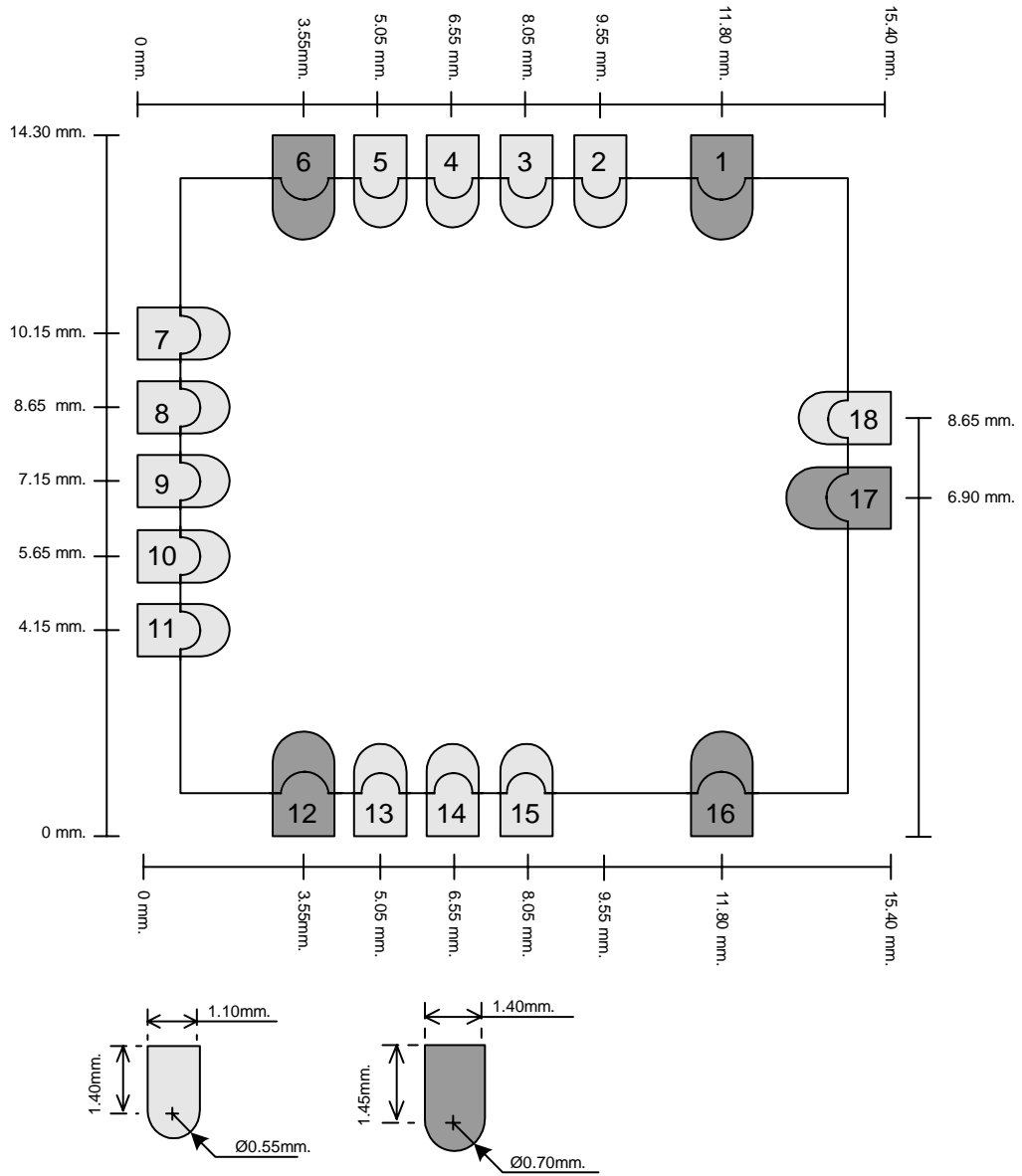


Figure 5 Recommend ZM2102 PCB footprint Outline

2.8 Recommended Reflow Profile

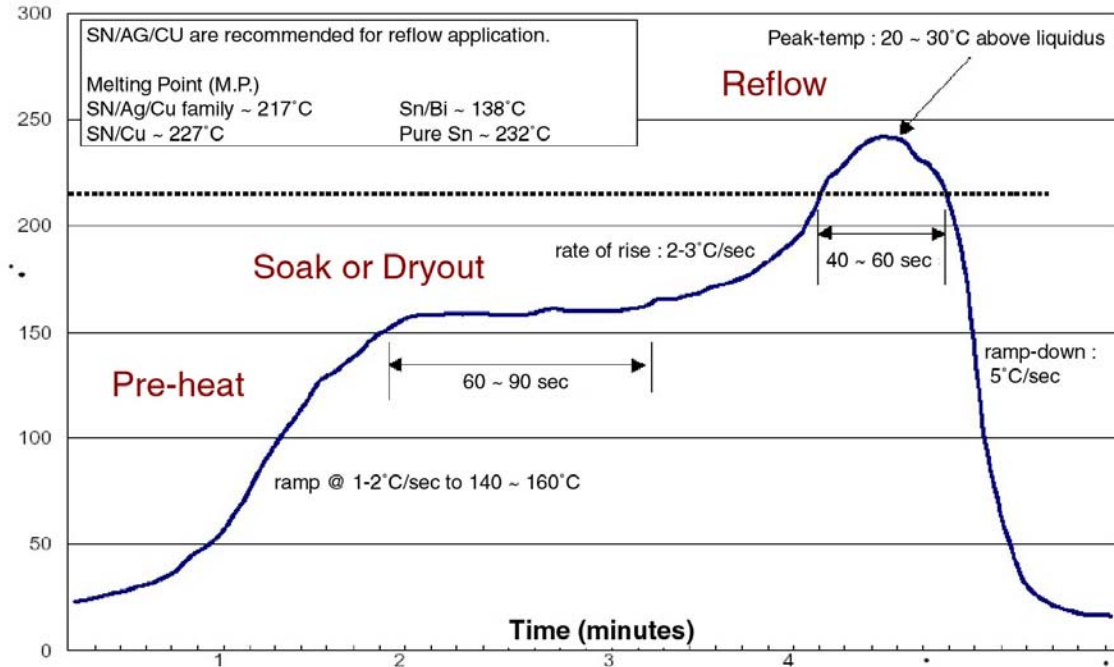


Figure 6 Recommended Reflow Temperature Profile

2.9 Application PCB Layout Recommendation

2.9.1 Supply Voltage

As the ZM2102 Z-Wave Module contains a RF transceiver good supply voltage decoupling is important. Two decoupling capacitors should be placed at the VCC pin (EP11) a 4.7uF and a 100nF capacitor is recommended. The two capacitors should be placed as close EP11 as possible and the capacitor should be placed between the ZM2102 Z-Wave Module and the via that goes to the power plane as shown in Figure 7.

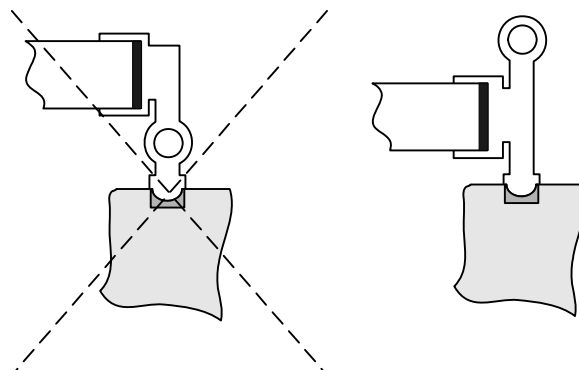


Figure 7 Placement of decoupling capacitor (power pin, EP11)

2.9.2 Ground Plane

In order to minimize any noise coupling from noisy signals (typically power products) it is recommended to insert as much ground copper below the ZM2102 Z-Wave Module as possible on the Application PCB.

2.9.3 Antenna Interconnection

As the RF signal (EP18) is 50ohm the trace from the EP18 to the matching circuitry (see 1.3.2) must be 50ohm. The Application PCB designer must therefore take the PCB layer structure and thickness into account when designing the 50ohm trace (either Microstrip or Stripline).

3 SOFTWARE

3.1 SPI Interface

The signals 'P1.2/MISO', 'P1.4/SCK' and 'P1.3/MOSI' signals are in some SW API's used by the protocol to store Routing Tables and HomeID in an external EEPROM. When these SW API's are used, the Application SW must not use these three signals. Table 9 shows the available SW API's and in which the SPI interface is used by the protocol.

SW API	SPI interface used by Protocol
Slave	No
Routing Slave	No
Enhanced Slave	Yes
Controller	Yes
Static Controller	Yes
Installer	Yes
Bridge	Yes

Table 9 SW API / SPI availability

3.2 EEPROM

Some SW API's require an external EEPROM to be implemented on the Application PCB for protocol information storage (like routing table, HomeID etc.). The SPI interface is used to access the EEPROM and the 'P1.5' signal (EP5) is used by the Z-Wave Protocol as EEPROM Chip Select. To assure proper control of the EEPROM chip select signal during reset and power-up a pull up resistor on the P1.5 should be implemented as shown in Figure 8.

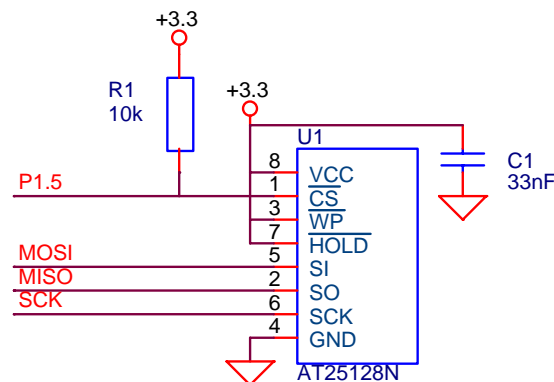


Figure 8 External EEPROM

Only a part of the EEPROM is used for protocol data storage, the Application SW can use the remaining memory area using an API call (see [3]). For the EEPROM memory area requirements of the protocol API please refer to the documentation for the Z-Wave Controller code selected (see [3]).

4 REFERENCES

Always refer to latest document revision.

- [1] Zensys, DSH10560, Datasheet, ZW0201 with Developers Kit v4.1x
- [2] Zensys, APL10312, Application Note, Programming the 200-Series Z-Wave Single Chip Flash
- [3] Zensys, INS10247, Instruction, Z-Wave ZW0102/ZW0201 Application Programming Guide
- [4] Zensys, APL10045, Application Note, Antennas for Short Range Devices